

GUN DEFENDER™ - ATV MOUNT

INSTRUCTIONS

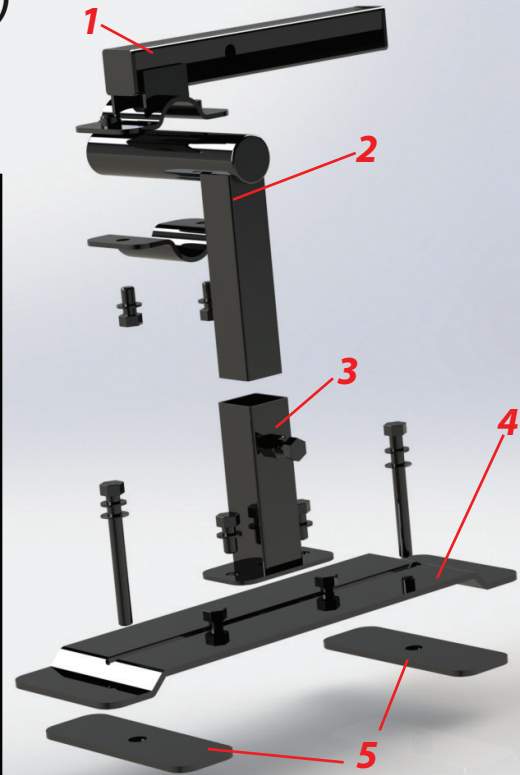
READ ALL INSTRUCTIONS BEFORE PROCEEDING

*Make sure key is in the off position and the vehicle is in park and/or parking brake engaged.
Use wheel chocks in front and behind the rear wheels during installation procedure.*

(Assembled View)



(Exploded View)



INCLUDED IN THIS KIT

1. Locate Desired Mounting Point

The Gun Defender™ ATV mount will mount anywhere on the rear utility rack of your ATV. *It is compatible with both composite and tubular style racks.* Note: The upper portion of the mount is removable when the Gun Defender™ is not in use. This will free up your use of the rack with gear bags and other accessories.

2. Attach Upper & Lower Mounting Plates to Rack

Insert the two long bolts with washers through the slots in the mounting plate. Place the two lower mounting plates underneath the utility rack where you intend to place the mount. Thread and tighten the two bolts into the mounting plates. *When mounted correctly, the bracket and plates should feel firmly anchored in place.*

- 1** (1) Mounting Point Slider Bar
- 2** (1) Mounting Arm
- 3** (1) Removable Center Pillar
- 4** (1) Upper Mounting Plate
- 5** (2) Lower Mounting Plates
- 6** All other required hardware

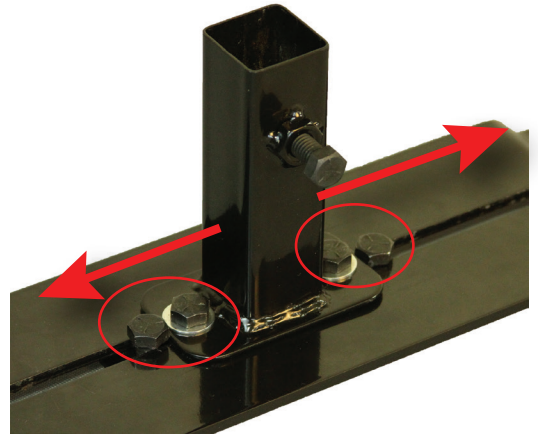


GUN DEFENDER™- ATV MOUNT

INSTRUCTIONS (Continued)

3. Attach the Removable Center Pillar

The removable center pillar attaches to the upper mounting plate with two small screws and washers. Thread the screws through the two holes in the base of the center pillar and into the slider plate under the upper mounting plate, tighten until snug. The slider plate will allow you to move the center pillar back and forth in the slot to your desired position. Once in the desired position, tighten the two bolts on the slider plate until snug. **NOTE: When the Gun Defender™ is not in use, the center pillar and the entire upper portion of the mount can be removed. Simply remove the two screws securing the center pillar. The lower mounting plates and slider will remain in place and are low profile enough for use with other accessories on the gear rack.**



4. Attach & Configure the Arm and Mounting Point Slider

Slide the mounting arm into the center pillar and adjust to desired height. When it is adjusted, tighten the jam bolt on the center pillar to secure the arm. Attach the mounting slider using two small bolts and washers. Place the mounting point slider and lower tube plate around the tube of the mounting arm. Thread the bolts through the mounting point slider plate holes into the lower plate. The arm and mounting point slider can be adjusted to change the position of the Gun Defender™. Configure according to your intended mounting position and needs.



4. Attach Gun Defender™ to the Mount

The Gun Defender™ slides on and off the mounting point bars easily and locks in place with the provided pin. When you have Gun Defender™ in position on to the mounting point slider, slide the pin through the holes in the Gun Defender™ and through the holes in the mounting point bar. Lock the pin in place with the latch attached to the pin.

